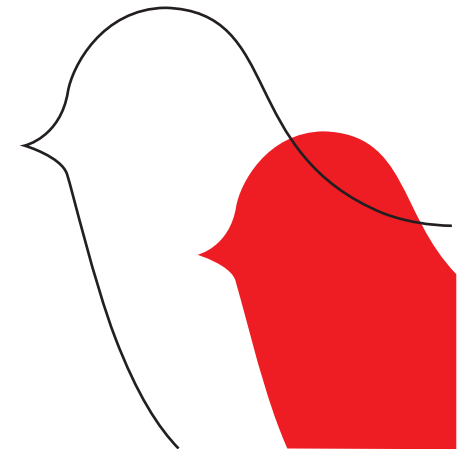


# bird•bottle

instruction manual



## warranty

### **Manufacturers warranty as to material and workmanship.**

The manufacturer, blend design, warrants to the purchaser of this product for a period , of six (6) months from the date of purchase that the product shall be free of defects in material and workmanship. Manufacturer shall only be liable under this warranty if the product is used and cared for in the manner intended by the manufacturer as specified in the written instructions furnished with the product.

MANUFACTURER SHALL BE LIABLE FOR THE REPLACEMENT OF ANY PARTS THAT FAIL THROUGH A DEFECT IN MATERIAL OR WORKMANSHIP AT NO CHARGE TO PURCHASER DURING THE WARRANTY PERIOD, EXCLUDING SHIPPING AND HANDLING CHARGES.

Manufacturer specifically disavows any other representation, warranty, or liability relating to the condition or use of the product.

### **Exclusion of warranty coverage for defects caused by unauthorized service or repair.**

This warranty does not cover defects caused by any of the following:

Modification, alteration, repair, or service of the product by anyone other than the manufacturer; physical abuse to or misuse of the product or operation thereof in a manner contrary to the accompanying instructions.

**This warranty gives you specific legal rights, and you may also have other rights, which vary state to state.**

## disclaimer

**Please read and understand this entire manual prior to installing or using your bird bottle.**

### **EXCEPT AS SET FORTH PREVIOUSLY, MANUFACTURER MAKES NO WARRANTY OF ANY KIND, EXPRESS OR IMPLIED,**

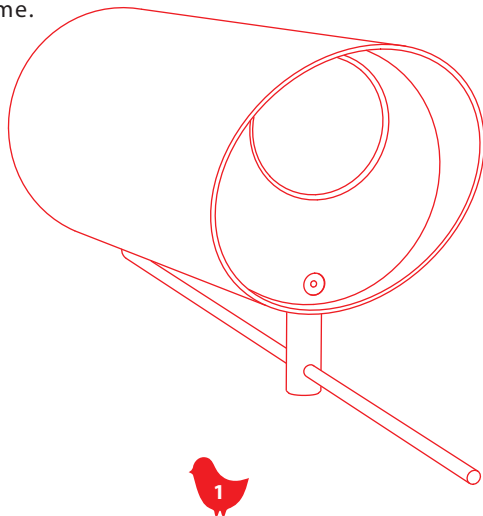
except that the bird bottle ("goods") shall be of the standard quality of manufacture, and purchaser assumes all risk and liability resulting from the use of the goods, whether used singly or in combination with other goods. Manufacturer neither assumes nor authorizes any person to assume for manufacturer any other liability in connection with the sale or use of the goods sold, and there are no oral agreements or warranties collateral to or affecting this sale and purchase.

**Manufacturer is not responsible for any damage, direct or consequential, arising out of any direct or indirect acts which are beyond the manufacturer's control.**

## introduction

blend design invested countless hours developing the modern bird bottle to provide you with the very best product possible. Not only are the highest quality materials used to ensure longevity in the elements, but the bird bottle is also designed for ease of care and installation.

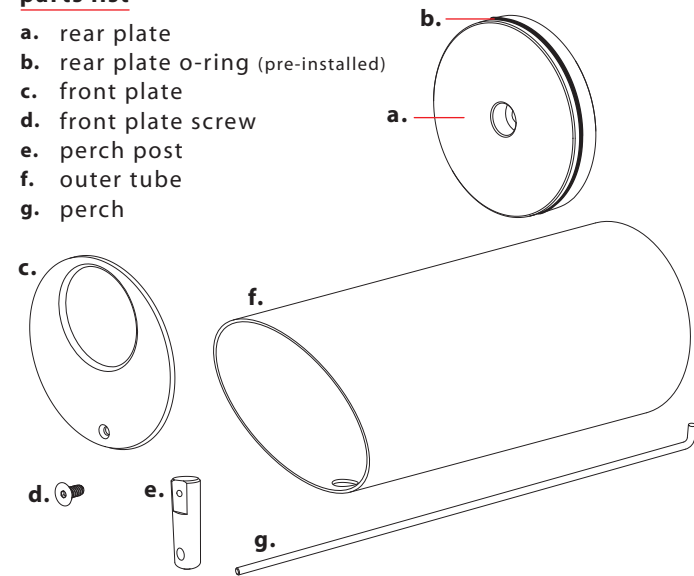
This manual will guide you through getting acquainted with your bird bottle and provide you with everything you need to know to get the most out of a birds new modern home.



## getting to know your bird·bottle

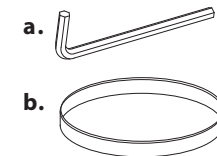
### parts list

- a. rear plate
- b. rear plate o-ring (pre-installed)
- c. front plate
- d. front plate screw
- e. perch post
- f. outer tube
- g. perch



### tools included

- a. 5/64" allen wrench
- b. installation rubber band



## choosing the spot

Choosing the right spot to install your bird bottle is very important. It is best to try and install the bird bottle before a major change in season as this is when birds are looking for a nice new place to live.

Some birds and some regions are more difficult than others. If you miss the change in season, or birds don't seem to want to move into the bird bottle, be patient. Some spots can take one to two years for local birds to accept the new dwelling.

### tips

- Birds like water so try and place the bird bottle near a water feature or bird bath.
- In hot climates, face the front hole towards the North or East to promote cooling breezes.
- Although a very common mounting option, trees can provide easy access for cats or squirrels. Always keep your birds safety in mind when choosing a spot.
- Although it varies by species, the bird bottle should be mounted approx. 4 to 7 feet above the ground.
- Don't put the bird bottle too close to a bird feeder or an area where birds like to eat.

**Do not install the bird bottle in a location that could cause injury to someone, cause harm in any way, or where it might damage property.**



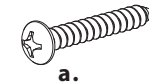
## mounting options

Included with your bird bottle is stainless steel hardware for mounting on either a tree or a surface with rear access like a fence. Mounting options vary greatly and you may use your own hardware to fit your application, however, only use high quality stainless steel hardware to prevent rusting.

### tree mounting

(surface with no rear access)

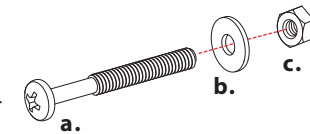
- a. Stainless Steel Phillips Head Wood Screw



### fence mounting

(surface with rear access)

- a. Stainless Steel Phillips Head 1/4-20 Bolt
- b. Stainless Steel Flat Washer
- c. Stainless Steel 1/4-20 Nut



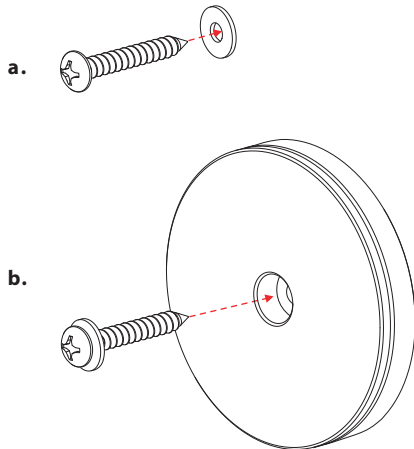
### mounting tools needed

- a. Phillips Head Screwdriver
- b. 7/16" Open End Wrench or small Adjustable Wrench (fence mounting option)
- c. Drill with a 1/4" Drill Bit (fence mounting option)



## tree mounting

1. Locate an open spot on your tree that has an area free of small branches, knots, or other surface variations.
2. Slide the nylon plastic washer onto the Phillips head tree mounting screw (a). Then slide the washer and screw through the hole in the rear plate (b).

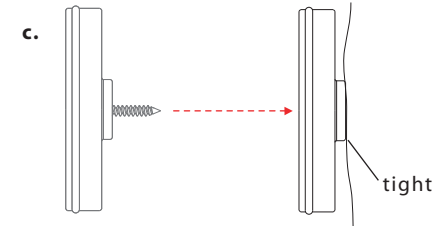


5

## tree mounting

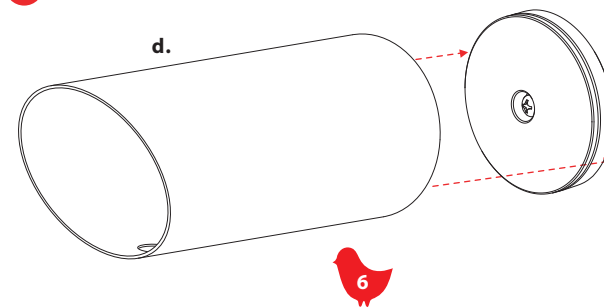
3. Using the Phillips head screwdriver, screw the rear plate onto the tree. Continue to tighten until the rear plate is pulled tightly against the bark (c).

**tip** The rear plate should not wiggle or be loose in any way.



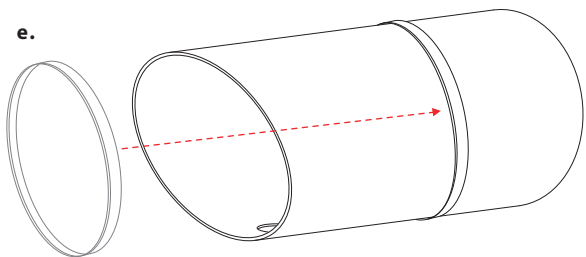
4. Apply a small amount of water or cooking oil to the outside surface of the o-ring. This will help in the installation of the outer tube. Hold the outer tube so the holes are facing down and push the tube straight over the rear plate until the back edge of the tube is flush with the tree (d).

**tip** Do not rotate the tube back and forth while pushing.

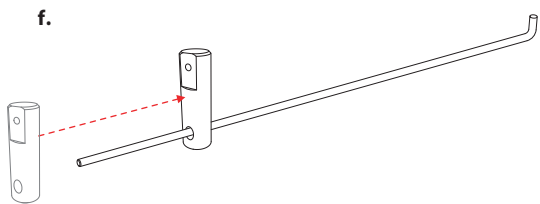


## tree mounting

5. Slide the installation rubber band over the tube so it is approx. halfway down the length of the tube (e). This will help you hold the perch in place during installation.

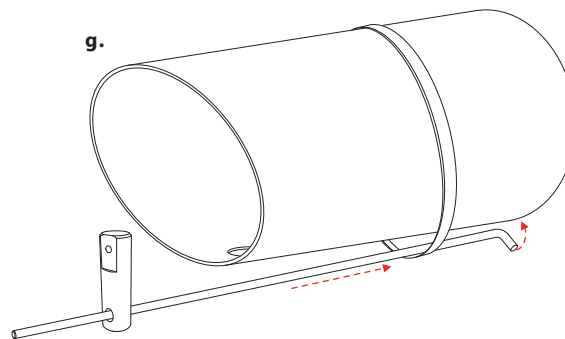


6. Slide the perch post onto the perch with the flat side facing forward (f).

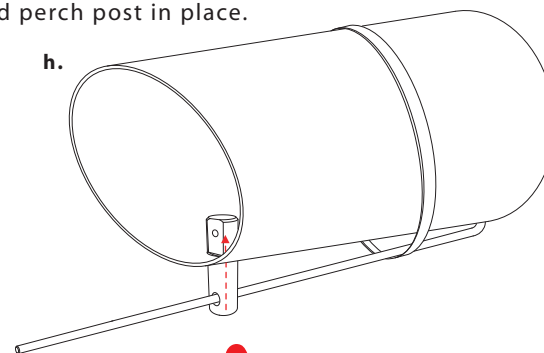


## tree mounting

7. Guide the perch underneath the rubber band and then rotate the bent end into the hole at the rear of the outer tube (g).



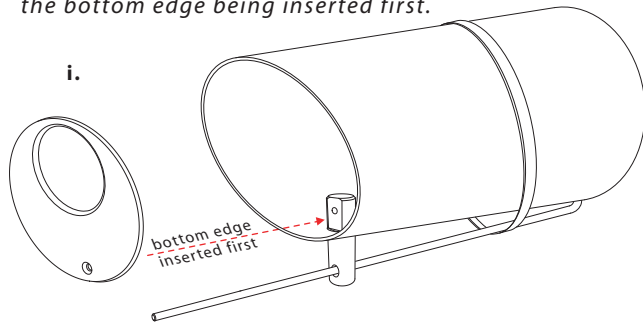
8. Slide the perch post into the hole at the front of the outer tube (h). The rubber band will be stretched and will hold the perch and perch post in place.



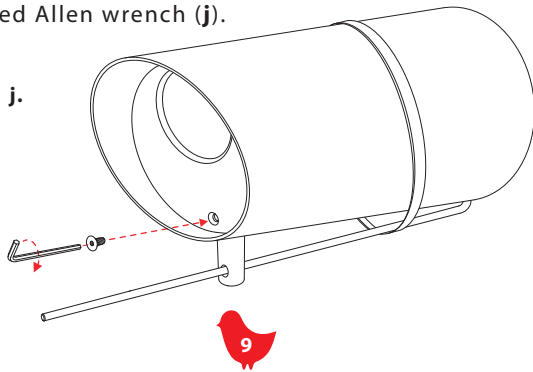
## tree mounting

9. Slide the front plate into the outer tube opening at an angle until it stops against the perch post (i).

**tip** The front plate must be installed at an angle with the bottom edge being inserted first.

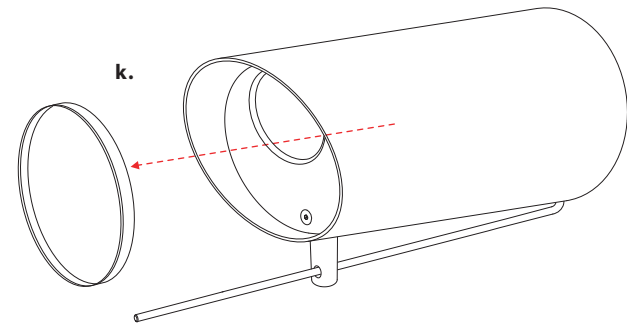


10. Align the hole in the front plate with the hole in the perch post. Install the front plate screw using the supplied Allen wrench (j).



## tree mounting

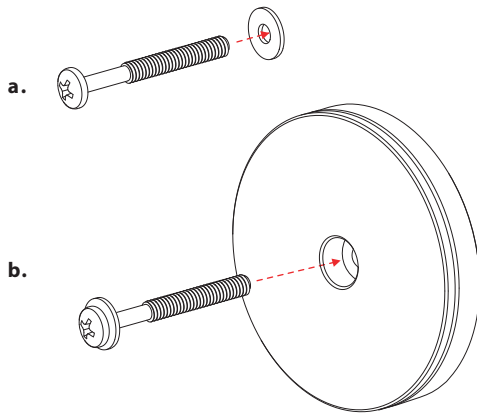
11. Once the screw is fully tightened, the bottle is locked into position. You can then remove the installation rubber band and begin enjoying the birds (k).



## fence mounting

Before fence mounting your bird bottle be sure you have access to the back side of the fence and a partner to help you with the process.

1. Locate an open spot on your fence, or other flat surface, that has an area free of surface variations. Using a 1/4" drill bit, drill a hole through the fence. This hole should be large enough to accept the fence mounting bolt.
2. Slide the nylon plastic washer onto the Phillips head fence mounting bolt (a). Then slide the washer and bolt through the hole in the rear plate (b).

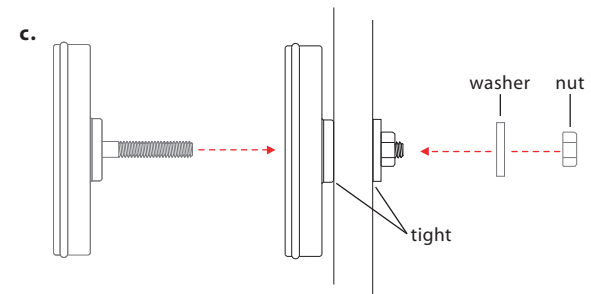


11

## fence mounting

3. Slide the bolt through the previously drilled hole in the fence. From the back side of the fence, slide the metal washer over the end of the bolt and then thread on the nut. Using the Phillips head screwdriver, and a wrench to hold the nut, screw the rear plate onto the fence. Continue to tighten until the fence is sandwiched tightly between the rear plate and the metal washer (c).

**tip** The rear plate should not wiggle or be loose in any way.



4. From this point on, the installation steps for fence mounting are identical to those for tree mounting. **Continue on Page 6 at Step 4.**

12

## care & maintenance

To enjoy your bird bottle for as long as possible, Blend recommends routine cleaning and maintenance similar to that of any product exposed to the elements year round, like a boat or car. Birds are also not attracted to a used or dirty home, so be sure to clean between each nesting season.

To clean the bird bottle, first remove the front plate and remove any nesting materials. Once the nesting is cleaned out, wipe down the inside and outside of the bottle with mild soap and water. Do not use a cleaner that contains bleach as this may damage the finishes.

### NOTES ON LOCATIONS:

Specific local environments can vary greatly and your maintenance schedule may need to vary depending on the severity of your environment. In coastal or high salt environments, regular cleaning is critical to keeping materials looking good. Certain environments can cause tarnishing and discoloring of stainless steel and also degrade powdercoat finishes quickly.

**Do not install the bird bottle in a location that could cause injury to someone, cause harm in any way, or where it might damage property.**



## return policy

We want you to be satisfied with your purchase and trust that Blend produces only the highest quality products for every customer. If for any reason you are not satisfied with your purchase, we will refund your purchase price.

If unsatisfied, simply notify us in writing within fourteen (14) business days of receiving your product. The product must be in the original packaging and be undamaged.

**Return shipping is the responsibility of the purchaser.**





rev.1

